

Please note that the data given here has been taken from the online catalog. For comprehensive information and data, please refer to the user documentation at <http://www.download.phoenixcontact.com>. The General Terms and Conditions of Use apply to Internet downloads.

## ► Extract from the online catalog



DIN rail, material: Galvanized, perforated, height 7.5 mm, width 35 mm, length: 2 m

Order No.	1206421
Ord designation	NS 35/ 7,5 ZN PERF 2000MM
EAN	4017918170868
Pack	1 Meter
Customs tariff	72166190
Weight/Piece	0.30 KG
Catalog page information	Page 505 (CL-2007)

## ► Product notes

WEEE/RoHS-compliant since: 01/01/2003



**IMPORTANT :** This date is valid for Customers in Germany only. Date Format is MM/DD/YYYY. Please contact your local in-country Phoenix Contact location or designated business partner for a Logistics Compliant date in your area. In order to guarantee delivery of RoHS-Compliant product, please purchase Phoenix Contact parts from authorized Phoenix Contact representatives and distributors.

## ► Technical data



---

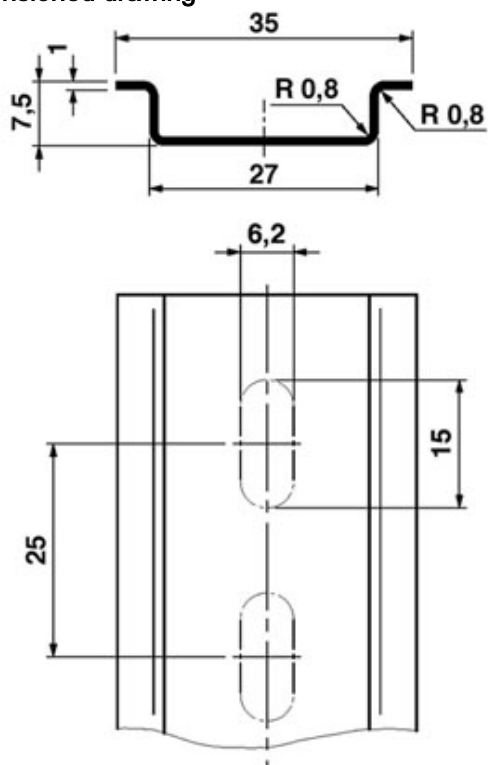
**General data**

Height	7.5 mm
Length	2000 mm
Width	35 mm
Material	Steel
Coating	Galvanized
Color	silver
Test standard	In acc. with EN 60715: 2001

---

## ► Drawings

Dimensioned drawing



---

## ► Address

---

PHOENIX CONTACT GmbH & Co. KG  
Flachsmarktstr. 8  
32825 Blomberg  
Germany  
Phone +49 5235 3 00  
Fax +49 5235 3 41200  
<http://www.phoenixcontact.de>  
Phoenix Contact  
Technical modifications reserved;